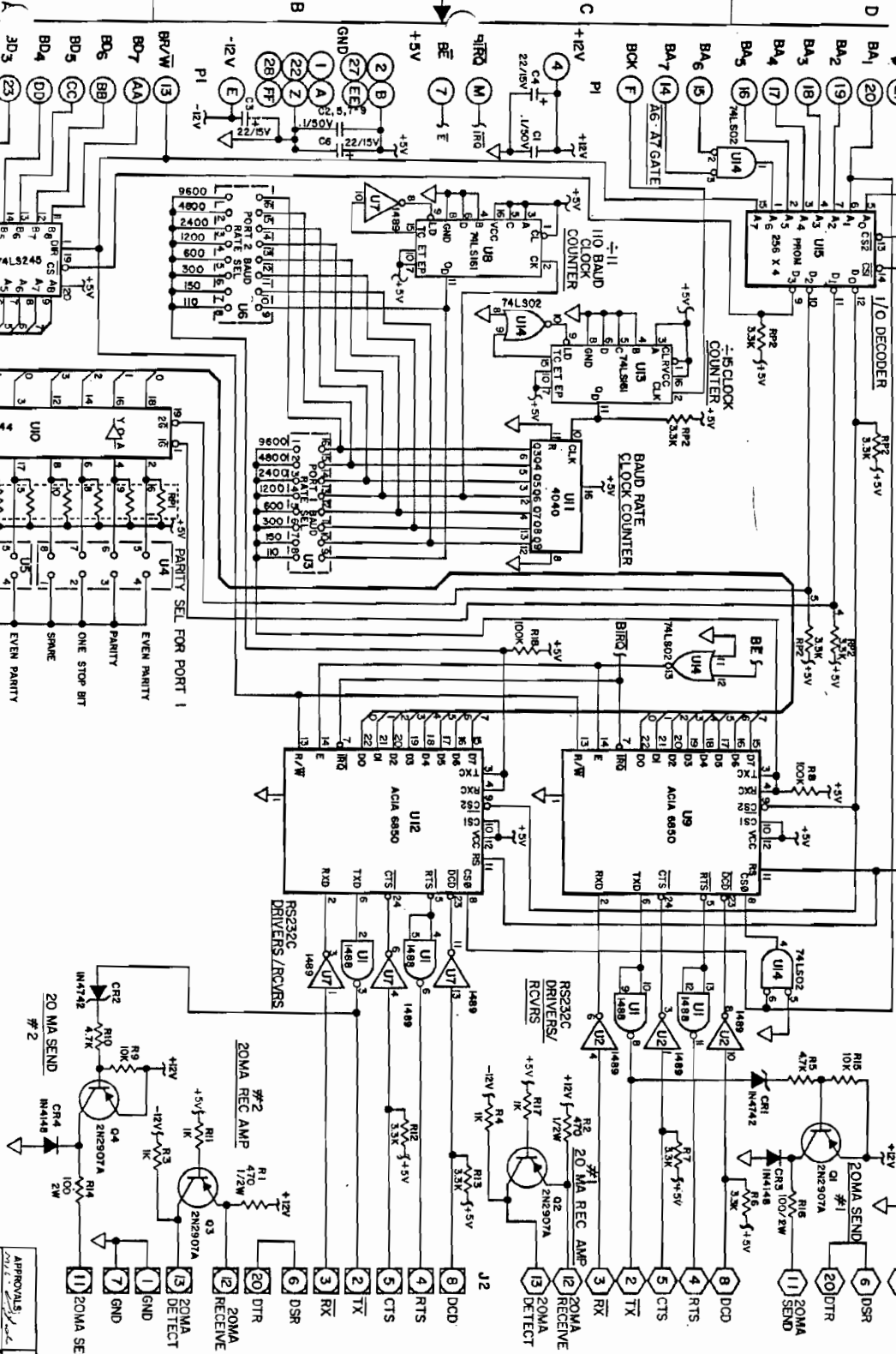


REVISIONS		DATE
ZONE/REV	DESCRIPTION	DATE
A	RELEASE	2-4-81
B	ECN #4826	5-5-83
C	ECN #5017	5-8-87



**NOTES:** UNLESS OTHERWISE SPECIFIED

- ALL RESISTORS ARE 1/4W AND IN OHMS, 5%.
- ALL CAPACITORS ARE IN MICROFARADS.
- LAST REFERENCE DESIGNATOR USED.

R18, 09, 04, 04, 06, 02, P1.

6. -001, -004 SHOWN  
-002 OMIT R12  
6. 701 - 1830 - 003 SHOWN ON PAGE 2 OF 2.

**LEGEND**

JI (Symbol)

J2 (Symbol)

PI (Symbol)

**DATA I/O**

**SCHMATIC DIAGRAM,**

**DUAL SERIAL I/O**

APPROVALS: [Signature]

DESIGNED BY: [Signature]

CHECKED BY: [Signature]

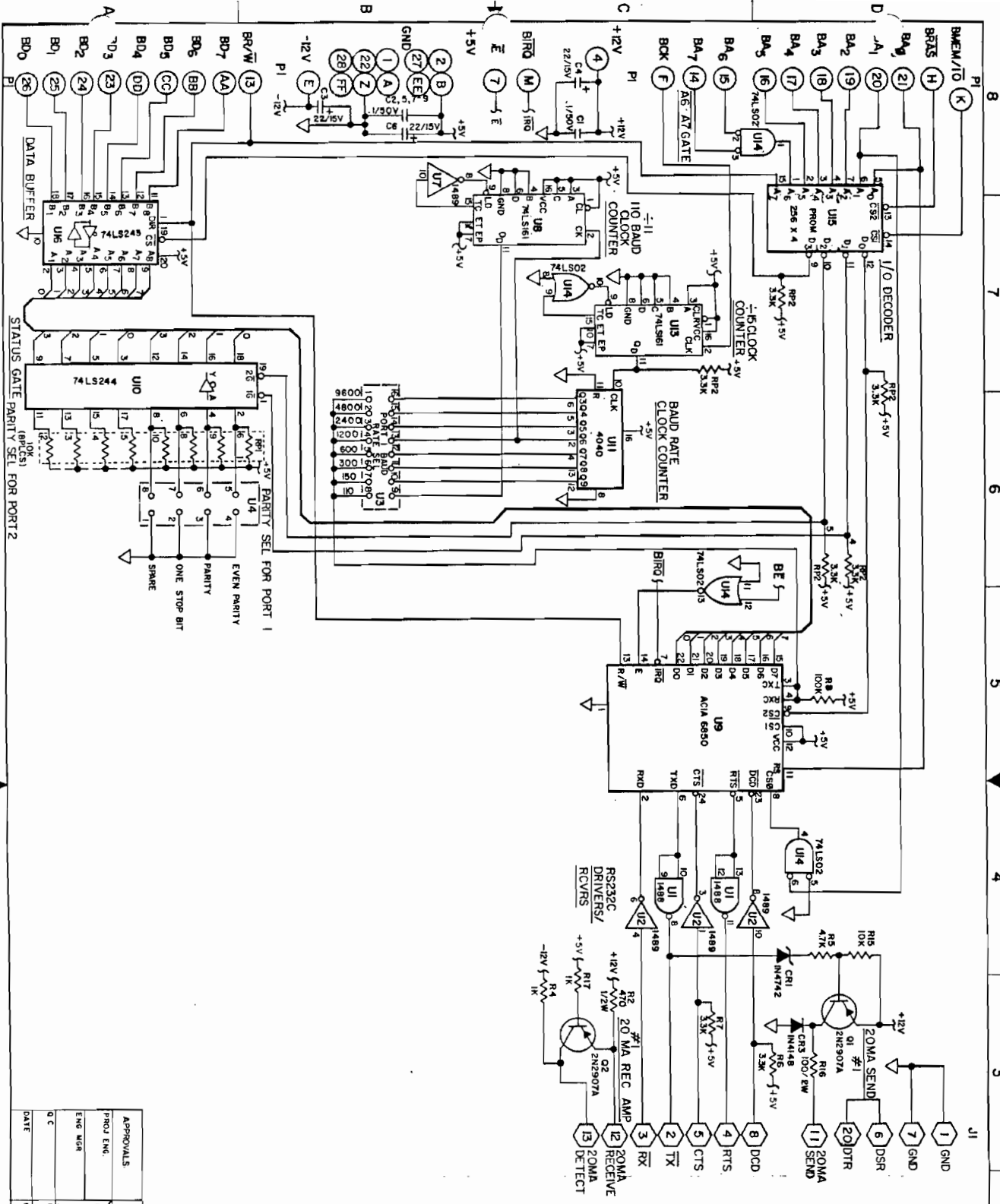
DATE: 2-4-81

SIZE: 54193

30-701-1830

SHEET 1 OF 2

REV	DESCRIPTION	DATE
1	CMR	11-24-81
2	SEE SHEET 1	11-24-81



APPROVALS	UNLESS OTHERWISE SPECIFIED DIMENSIONS ARE IN INCHES	TITLE	DATA I/O
PROD. ENG.	DRAWING TOLERANCES UNLESS OTHERWISE SPECIFIED	DATE	30-70-1830
ENG. MGR.	DESIGN SCALE DRAWING	CHECKED BY	30-70-1830
DATE		SCALE	1:1

NOTES: UNLESS OTHERWISE SPECIFIED  
 1. ALL RESISTORS ARE 1/4W AND IN OHMS, 5%.  
 2. ALL CAPACITORS ARE IN MICROFARADS.  
 3. LAST REFERENCING DESIGNATOR USED.  
 RIB, C9, O4, CM4, U16, J2, P1

LEGEND

UI	74LS02
P1	PORT 1

5	-003 SHOWN
6	UNUSED REFERENCE DESIGNATOR:
	CR2, 4, J2, O3, 9, R1, 3, 9-14, 18, U5, 6, 12.

+3V	U2, T, M	14	U15	16	U10	20
GND	U1, 2, 7, 14	7	U15	8	U10	10
-12V	U1	14				
+12V	U1	14				